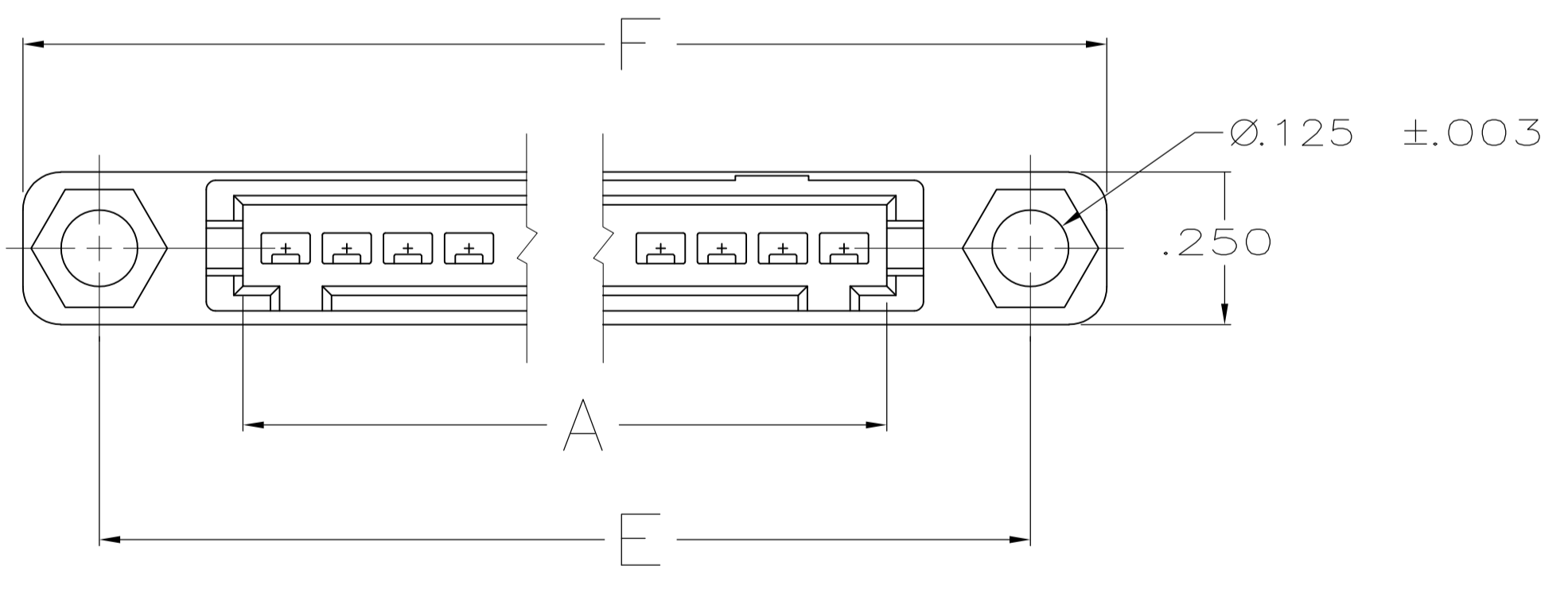
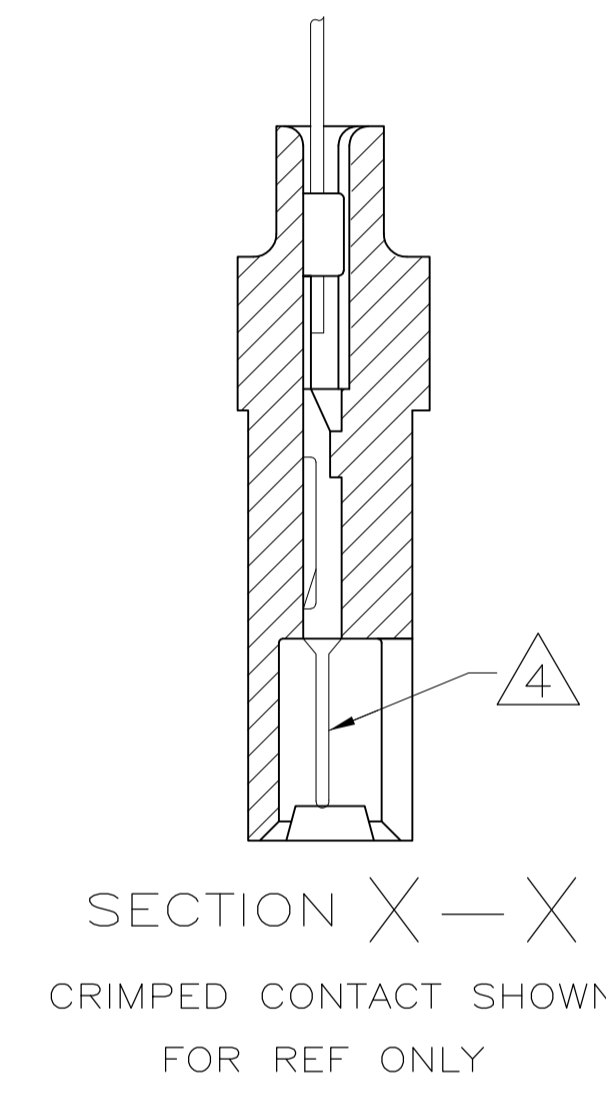
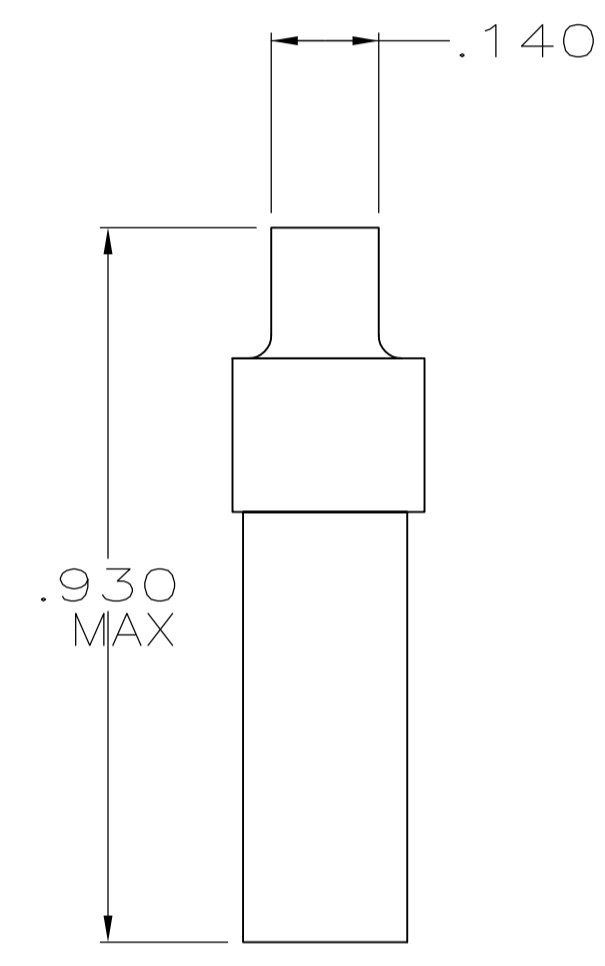
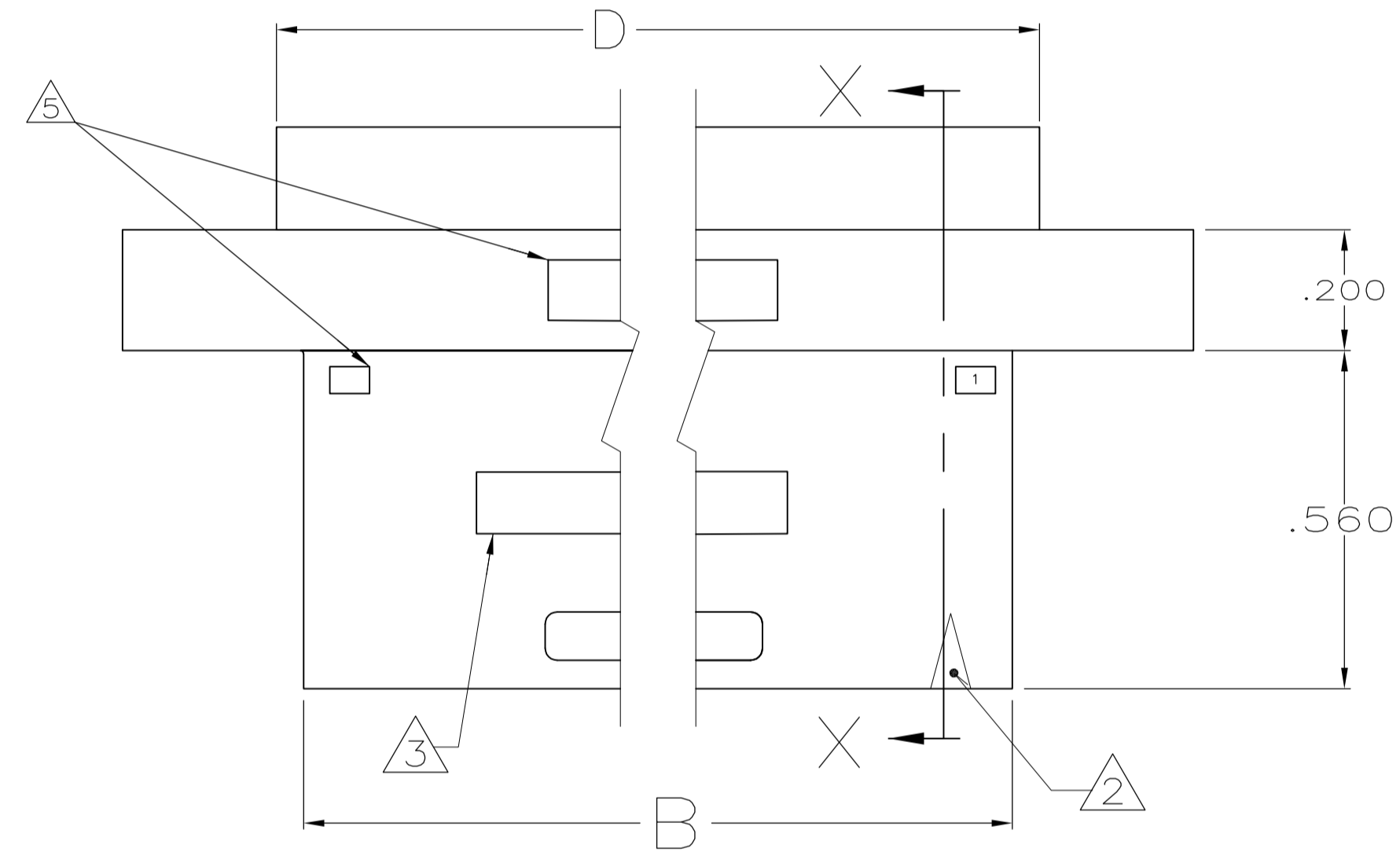
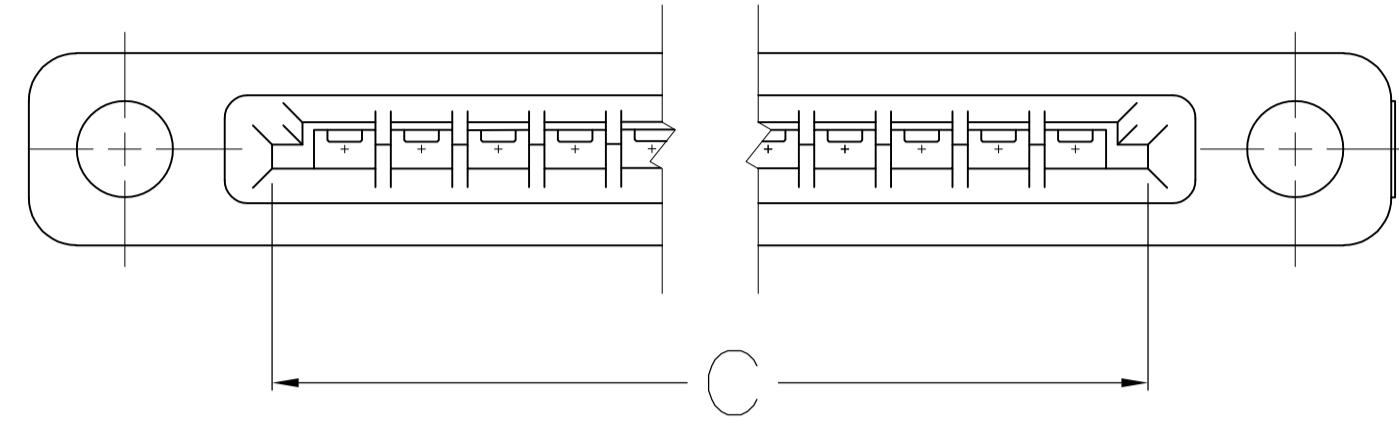


1. HOUSING WILL ACCOMMODATE FLEXIBLE FLAT CONDUCTOR CABLE
 .050 OR .062 WIDE CONDUCTORS ON .100 CENTERS AND/OR #32-22 AWG
 WIRE WITH INSULATION RANGE .040-.069 DIA.
2. CAVITY IDENTIFICATION FOR FIRST POSITION.
3. AMP TRADEMARK MOLDED IN AREA SHOWN
4. PIN CONTACTS MUST BE ORDERED SEPARATELY.
5. CUSTOMER PART NO, FIRST & LAST POSITION NO TO BE INK STAMPED
 WITH WHITE INK, LOCATED APPROXIMATELY AS SHOWN.
6. THERMOPLASTIC, FLAME RETARDANT,
 COLOR: BLACK.



OBSOLETE	713W72120	1.760	1.510	1.250	1.126	1.160	1.040	9	10	494031-4
	713W72020	1.260	1.010	.750	.626	.660	.540	4	5	494031-2
	CUSTOMER PART NUMBER	F	E	D	C	B	A	NO. OF SPACES	NO. OF POSN	PART NUMBER

THIS DRAWING IS A CONTROLLED DOCUMENT.		DIN	1/17/89	Tyco Electronics Corporation Harrisburg, PA 17105-3608	
DIMENSIONS:	TOLERANCES UNLESS OTHERWISE SPECIFIED:	CHK	3-3-89	NAME	
INCHES		D.ROCKER		HSG,PIN,SHROUDED,W/MTG EARS, .100 CL	
0. PLC	± .005	APVD		PRODUCT SPEC	
1. PLC	± .005			APPLICATION SPEC	
2. PLC	± .005			SIZE	
3. PLC	± .005			CAGE CODE	
4. PLC	± .005			DRAWING NO	
ANGLES	± .005			RESTRICTED TO	
MATERIAL	FINISH	WEIGHT		A1 00779 C=494031	
6				CUSTOMER DRAWING	
		SCALE	4:1	SHEET	1 OF 1
		REV	F		